

PRECURSOR GAS DISTRIBUTION COVER

REACTOR COVER

STD 200 mm DIA Single Substrate End Effector

R.50

10.13

1.375

20.60

31.96

20.82

24.89

2.63

11.14

4.04

5.50

7.67

UNLESS OTHERWISE SPECIFIED DIMENSIONS ARE IN:	
INCHES TOLERANCES: ANGULAR: MACH ± 0.5° BEND ± 1° X.XXX ± 0.005 X.XX ± 0.010 X.X ± 0.03	(MILLIMETERS) TOLERANCES: ANGULAR: MACH ± 0.5° BEND ± 1° (X.XX ± 0.13) (X.X ± 0.25) (X ± 0.75)
REMOVE BURRS AND BREAK ALL SHARP EDGES FILLET RADII AND CORNER RADII TO BE .02" (0.5MM) SURFACE FINISH TO BE 63	
NEXT ASSY	USED ON
APPLICATION	
MATERIAL	NONE
FINISH	NONE

NAME	DATE
Beaulieu	10/07/16
CHECKED	
ENG APPR.	

PROPRIETARY AND CONFIDENTIAL

THE INFORMATION CONTAINED IN THIS DRAWING IS THE SOLE PROPERTY OF ARRADIANCE. ANY REPRODUCTION IN PART OR AS A WHOLE WITHOUT THE WRITTEN PERMISSION OF ARRADIANCE IS PROHIBITED.

ARRADIANCE
142 NORTH RD, SUDBURY, MA 01776

TITLE:
SYSTEM, GEMSTAR XT-D

SIZE	DWG. NO.	REV
B	ARR-850000 XT-D	0
SCALE: 1:8	WEIGHT: 142 LBS	SHEET 1 OF 3

8 7 6 5 4 3 2 1

D

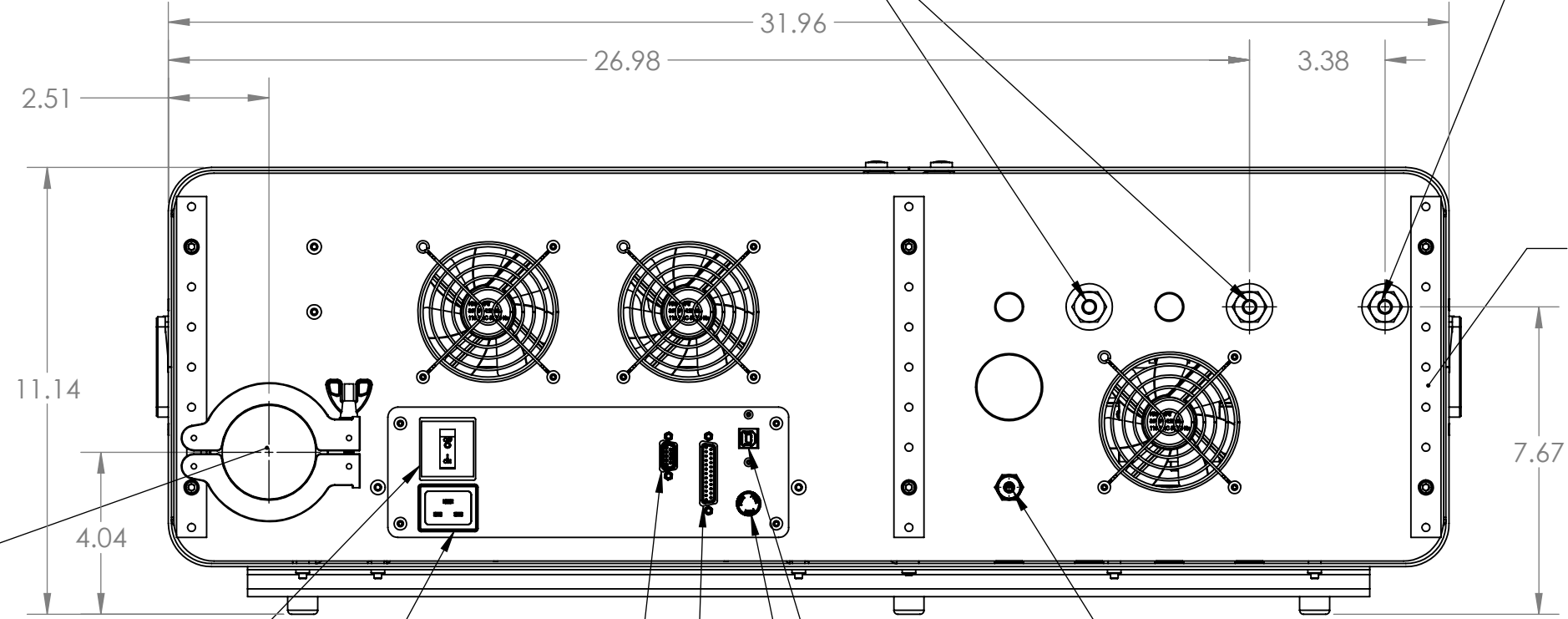
C

B

A

Two STD Gas Interface
 Inlet: Male 1/4" FACE SEAL
 Swagelok SS-4VCR-1 1/4" Female Nut
 SS-4-VCR-2 1/4" silver plated gasket
 Gas Type: Customer Selected
 Input Tube: 1/4" O.D. stainless steel tube
 Input Pressure: Regulated 5-20 +/- 5% psig

Inert Carrier/Purge Gas (N2 or Ar)
 Inlet: Male 1/4" FACE SEAL
 Swagelok SS-4VCR-1 1/4" Female Nut
 SS-4-VCR-2 1/4" silver plated gasket
 Gas Type: Compressed Grade 5.0 Nitrogen
 Input Tube: 1/4" O.D. stainless steel tube
 Input Pressure: Regulated 20 +/- 5% psig



Vacuum Pump Interface
 Inlet: KF50

ON/OFF SWITCH
 120VAC 20A
 CIRCUIT BREAKER

AC Power Input
 IEC Appliance Input
 IEC C19 20 amp AC Plug/Connector
 Voltage: 110-120 vac. 50/60 Hertz
 Current: 20 Amps

REMOTE EMO
 DB 9 FEMALE

CUSTOM AUX
 DB 25 FEMALE

Computer Interface
 USB 2.0 Interface
 Type B Jack

REACTOR HEATER
 10A FUSE

Clean Dry Air
 Inlet 1/4" male compression fitting
 Swagelok SS-400-NFSET
 Pressure: Regulated 80 +/- 5% psig

BRASS MOUNTING POINTS

Recommended Pump(Not Supplied As Standard)
 E2M18 Edwards Two Stage Rotary Vane Vacuum Pump.
 Peak pumping Speed 12.1CFM
 Inlet Connection - NW25
 15mm nozzle fitted to 3/4 BSP threaded hole
 115/200 230 1ph 50/60Hz, IEC 60320 set to 200-240V
 Fomblin Prepped

UNLESS OTHERWISE SPECIFIED DIMENSIONS ARE IN:	
INCHES TOLERANCES: ANGULAR: MACH ± 0.5° BEND ± 1° X.XXX ± 0.005 X.XX ± 0.010 X.X ± 0.03	(MILLIMETERS) TOLERANCES: ANGULAR: MACH ± 0.5° BEND ± 1° (X.XX ± 0.13) (X.X ± 0.25) (X ± 0.75)
REMOVE BURRS AND BREAK ALL SHARP EDGES FILLET RADII AND CORNER RADII TO BE .02" (0.5MM) SURFACE FINISH TO BE 63	
NEXT ASSY	USED ON
MATERIAL NONE	
FINISH NONE	
APPLICATION	

NAME	DATE
Beaulieu	10/07/16
CHECKED	
ENG APPR.	

PROPRIETARY AND CONFIDENTIAL

THE INFORMATION CONTAINED IN THIS DRAWING IS THE SOLE PROPERTY OF ARRADIANCE. ANY REPRODUCTION IN PART OR AS A WHOLE WITHOUT THE WRITTEN PERMISSION OF ARRADIANCE IS PROHIBITED.

ARRADIANCE
 142 NORTH RD, SUDBURY, MA 01776

TITLE:
SYSTEM, GEMSTAR XT-D

SIZE	DWG. NO.	REV
B	ARR-850000 XT-D	0

SCALE: 1:8 WEIGHT: 142 LBS SHEET 2 OF 3

8 7 6 5 4 3 2 1

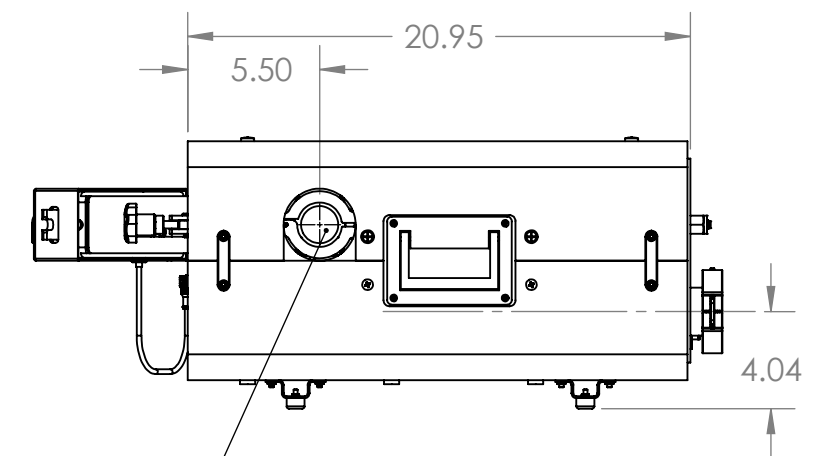
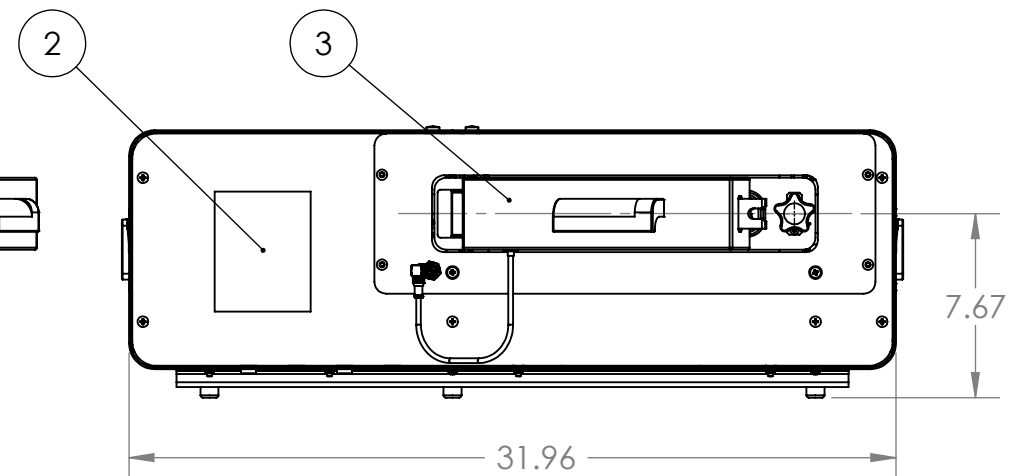
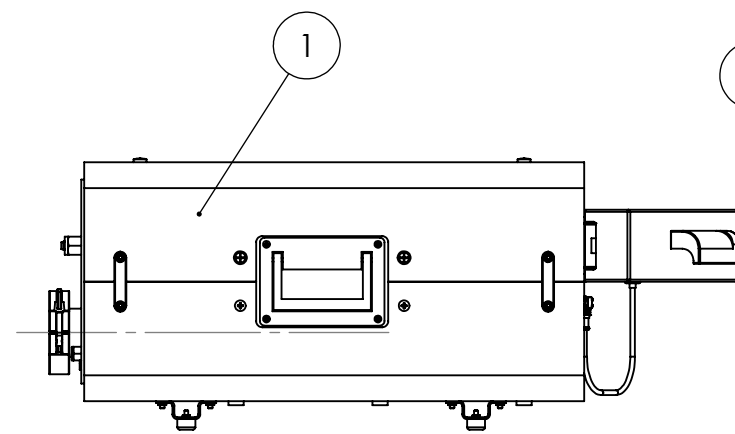
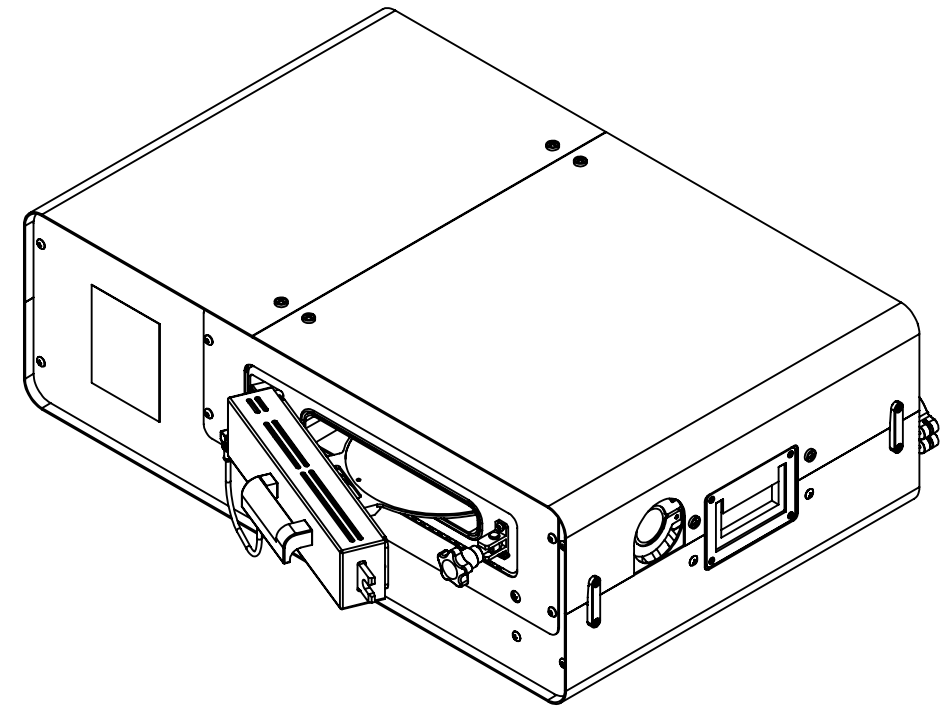
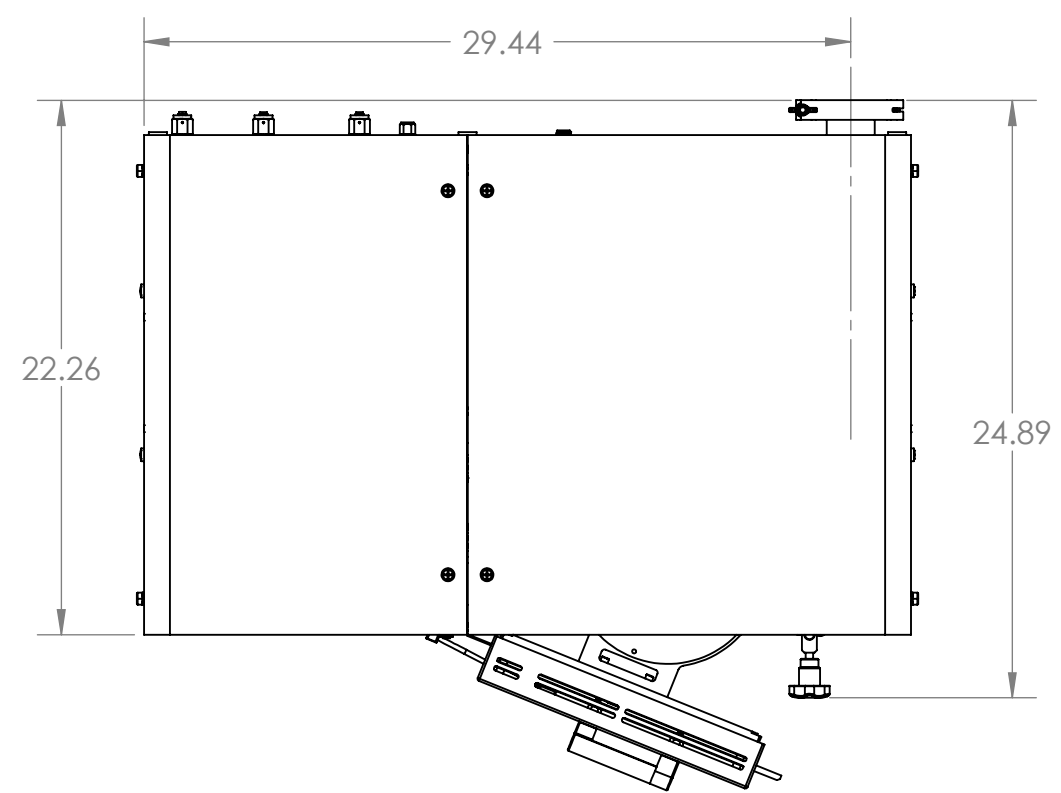
8 7 6 5 4 3 2 1

D

C

B

A



KF40 METROLOGY PORT

ITEM NO.	PART NUMBER	DESCRIPTION	QTY.
1	ARR-850901-PREP	ASSY, XT SHELL PREP	1
2	LABEL, GEMStar XT	LABEL, GEMSTAR-8	1
3	ARR-850902-D	ASSY, GS XT-D PROCESS SYSTEM	1

UNLESS OTHERWISE SPECIFIED DIMENSIONS ARE IN:	
INCHES TOLERANCES: ANGULAR: MACH ± 0.5° BEND ± 1° X.XXX ± 0.005 X.XX ± 0.010 X.X ± 0.03	(MILLIMETERS) TOLERANCES: ANGULAR: MACH ± 0.5° BEND ± 1° (X.XX ± 0.13) (X.X ± 0.25) (X ± 0.75)
REMOVE BURRS AND BREAK ALL SHARP EDGES FILLET RADII AND CORNER RADII TO BE .02" (0.5MM) SURFACE FINISH TO BE 63	
NEXT ASSY	USED ON
APPLICATION	
MATERIAL	NONE
FINISH	NONE

NAME	DATE
DRAWN Beaulieu	10/07/16
CHECKED	
ENG APPR.	

PROPRIETARY AND CONFIDENTIAL

THE INFORMATION CONTAINED IN THIS DRAWING IS THE SOLE PROPERTY OF ARRADIANCE. ANY REPRODUCTION IN PART OR AS A WHOLE WITHOUT THE WRITTEN PERMISSION OF ARRADIANCE IS PROHIBITED.

ARRADIANCE
142 NORTH RD, SUDBURY, MA 01776

TITLE:
SYSTEM, GEMSTAR XT-D

SIZE B	DWG. NO. ARR-850000 XT-D	REV 0
SCALE: 1:8	WEIGHT: 142 LBS	SHEET 3 OF 3

8 7 6 5 4 3 2 1