
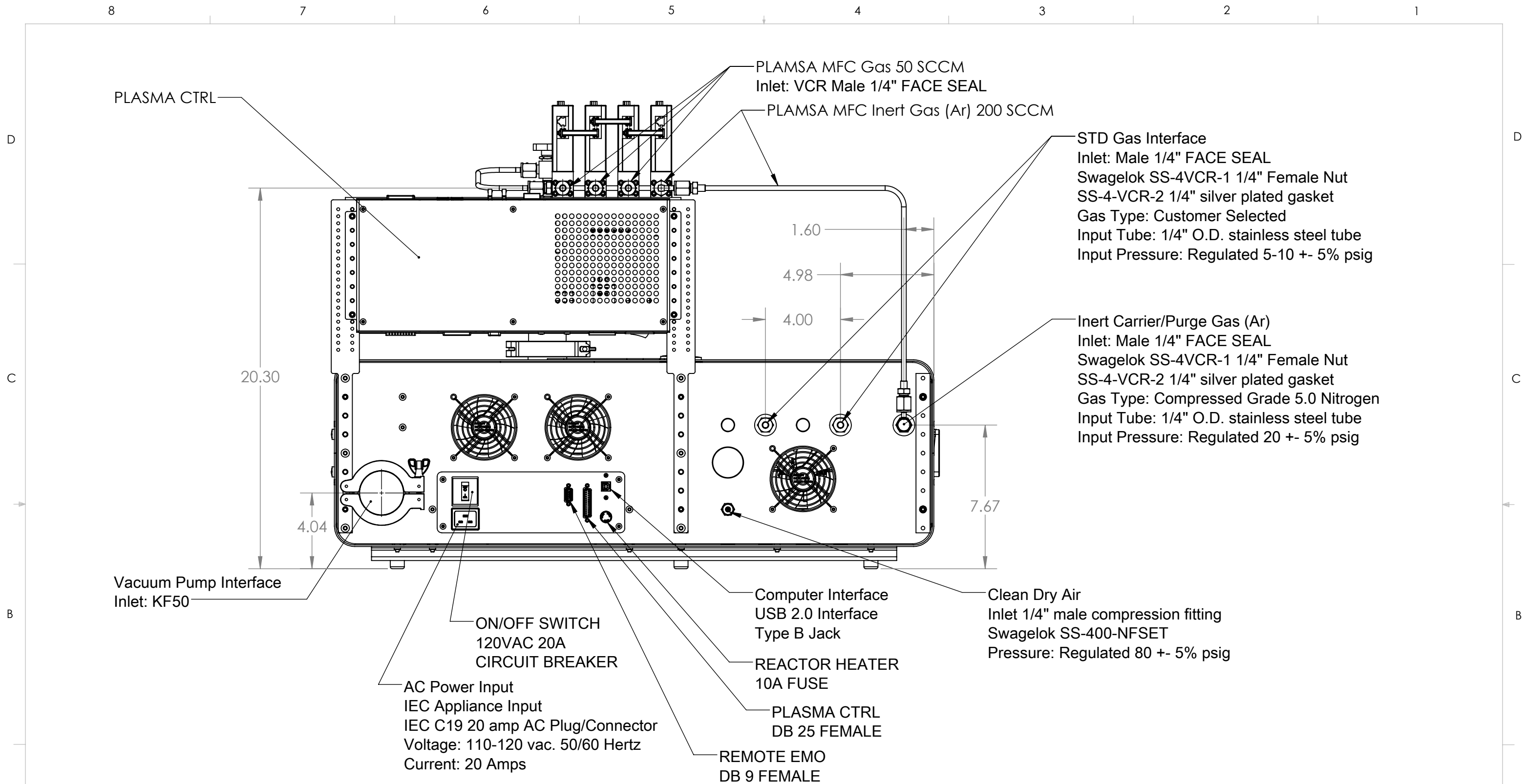


		UNLESS OTHERWISE SPECIFIED DIMENSIONS ARE IN:		NAME	DATE	 ARRADIANCE 142 NORTH RD, SUDBURY, MA 01776	
		INCHES TOLERANCES: ANGULAR: MACH ± 0.5° BEND ± 1° X.XXX ± 0.005 X.XX ± 0.010 X.X ± 0.03		DRAWN	Beaulieu		11/01/16
		(MILLIMETERS) TOLERANCES: ANGULAR: MACH ± 0.5° BEND ± 1° X.XX ± 0.13 X.X ± 0.25 X ± 0.75		CHECKED			
		REMOVE BURRS AND BREAK ALL SHARP EDGES FILLET RADII AND CORNER RADII TO BE .02" (0.5MM) SURFACE FINISH TO BE 63		ENG APPR.			
NEXT ASSY	USED ON	MATERIAL	NONE	PROPRIETARY AND CONFIDENTIAL THE INFORMATION CONTAINED IN THIS DRAWING IS THE SOLE PROPERTY OF ARRADIANCE. ANY REPRODUCTION IN PART OR AS A WHOLE WITHOUT THE WRITTEN PERMISSION OF ARRADIANCE IS PROHIBITED.			TITLE:
APPLICATION		FINISH	NONE				SYSTEM, GEMSTAR XT-DP
				SIZE	DWG. NO.	REV	
				B	ARR-850000 XT-DP	1	
				SCALE: 1:8	WEIGHT: 270 LBS	SHEET 1 OF 3	



Recommended Pump(Not Supplied As Standard)
ARR-EV-A10-P EBARA DRY Pump, N2 purged
Peak pumping Speed 35 CFM
Ultimate Pressure 22 mTorr
Inlet Connection NW40
Outlet Connection NW40
N2 purge, 20psi
Air Cooled
Power 1P/3P, 200-240V (50/60Hz) 3kVA

UNLESS OTHERWISE SPECIFIED DIMENSIONS ARE IN:	
INCHES TOLERANCES: ANGULAR: MACH ± 0.5° BEND ± 1° X.XXX ± 0.005 X.XX ± 0.010 X.X ± 0.03	(MILLIMETERS) TOLERANCES: ANGULAR: MACH ± 0.5° BEND ± 1° (X.XX ± 0.13) (X.X ± 0.25) (X ± 0.75)
REMOVE BURRS AND BREAK ALL SHARP EDGES FILLET RADII AND CORNER RADII TO BE .02" (0.5MM) SURFACE FINISH TO BE 63	
NEXT ASSY	USED ON
APPLICATION	
MATERIAL	NONE
FINISH	NONE

	NAME	DATE
DRAWN	Beaulieu	11/01/16
CHECKED		
ENG APPR.		

PROPRIETARY AND CONFIDENTIAL

THE INFORMATION CONTAINED IN THIS DRAWING IS THE SOLE PROPERTY OF ARRADIANCE. ANY REPRODUCTION IN PART OR AS A WHOLE WITHOUT THE WRITTEN PERMISSION OF ARRADIANCE IS PROHIBITED.

ARRADIANCE
142 NORTH RD, SUDBURY, MA 01776

TITLE:
SYSTEM, GEMSTAR XT-DP

SIZE	DWG. NO.	REV
B	ARR-850000 XT-DP	1

SCALE: 1:8 WEIGHT: 270 LBS SHEET 2 OF 3

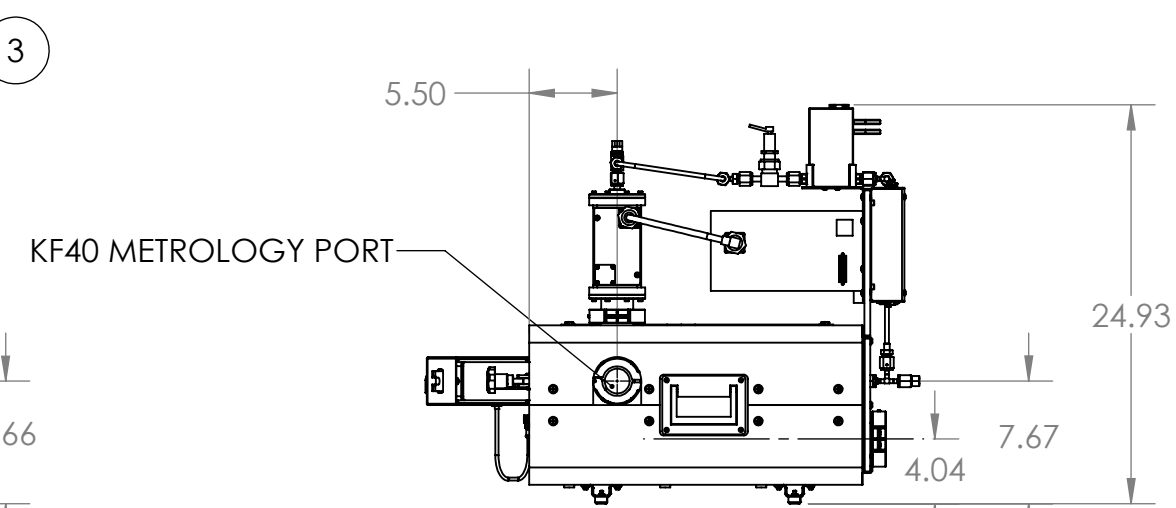
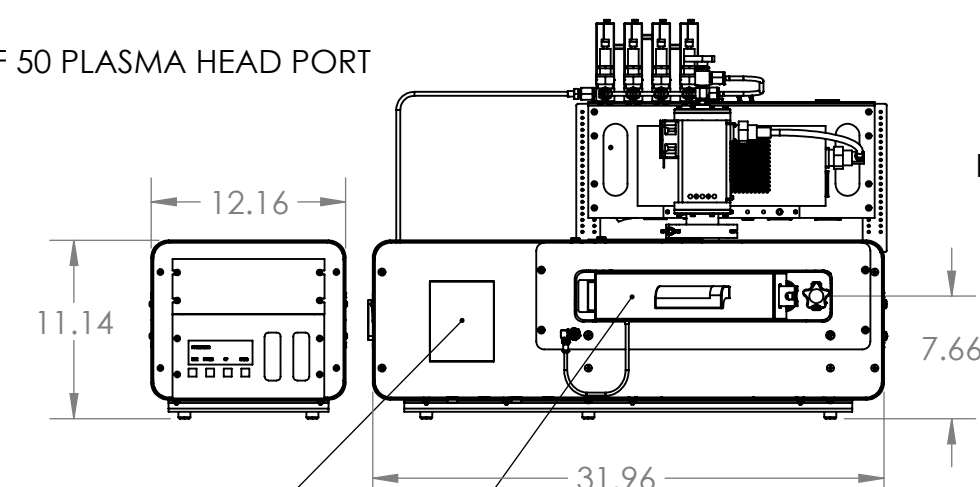
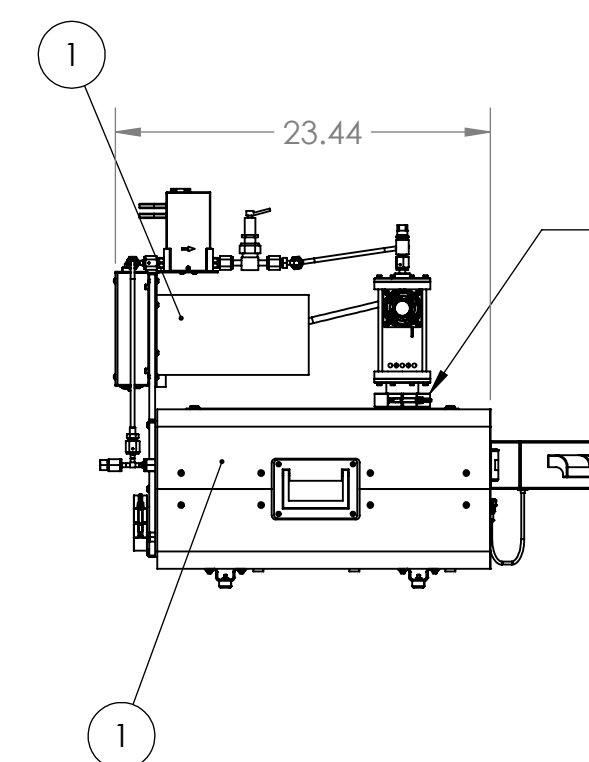
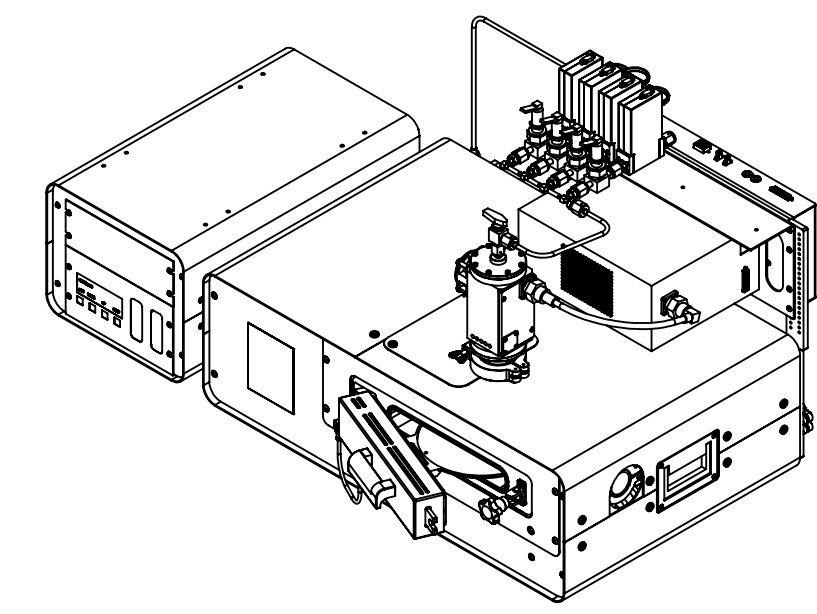
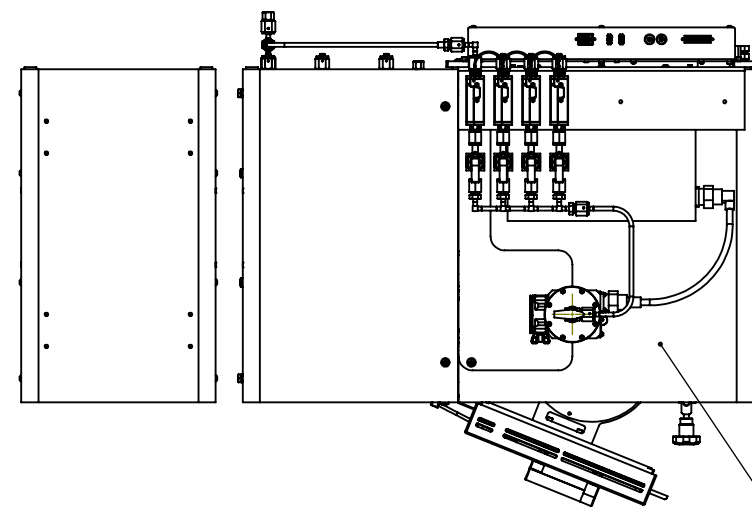
8 7 6 5 4 3 2 1

D

C

B

A



KF 50 PLASMA HEAD PORT

KF40 METROLOGY PORT

ITEM NO.	PART NUMBER	DESCRIPTION	QTY.
1	ARR-851000	MODULE, PLASMA SYSTEM	1
2	LABEL, GEMStar XT	LABEL, GEMSTAR-8	1
3	ARR-850000 XT-DR	SYSTEM, GEMSTAR XT-DR (PLASMA READY)	1

SEE END EFFECTOR PAGE FOR STD CONFIG

UNLESS OTHERWISE SPECIFIED DIMENSIONS ARE IN:	
INCHES TOLERANCES: ANGULAR: MACH ± 0.5° BEND ± 1° X.XXX ± 0.005 X.XX ± 0.010 X.X ± 0.03	(MILLIMETERS) TOLERANCES: ANGULAR: MACH ± 0.5° BEND ± 1° (X.XX ± 0.13) (X.X ± 0.25) (X ± 0.75)
REMOVE BURRS AND BREAK ALL SHARP EDGES FILLET RADII AND CORNER RADII TO BE .02" (0.5MM) SURFACE FINISH TO BE 63	
NEXT ASSY	USED ON
MATERIAL	NONE
FINISH	NONE
APPLICATION	

NAME	DATE
Beaulieu	11/01/16
CHECKED	
ENG APPR.	

PROPRIETARY AND CONFIDENTIAL

THE INFORMATION CONTAINED IN THIS DRAWING IS THE SOLE PROPERTY OF ARRADIANCE. ANY REPRODUCTION IN PART OR AS A WHOLE WITHOUT THE WRITTEN PERMISSION OF ARRADIANCE IS PROHIBITED.

ARRADIANCE
142 NORTH RD, SUDBURY, MA 01776

TITLE:
SYSTEM, GEMSTAR XT-DP

SIZE	DWG. NO.	REV
B	ARR-850000 XT-DP	1

SCALE: 1:8 WEIGHT: 270 LBS SHEET 3 OF 3

8 7 6 5 4 3 2 1