

8 7 6 5 4 3 2 1

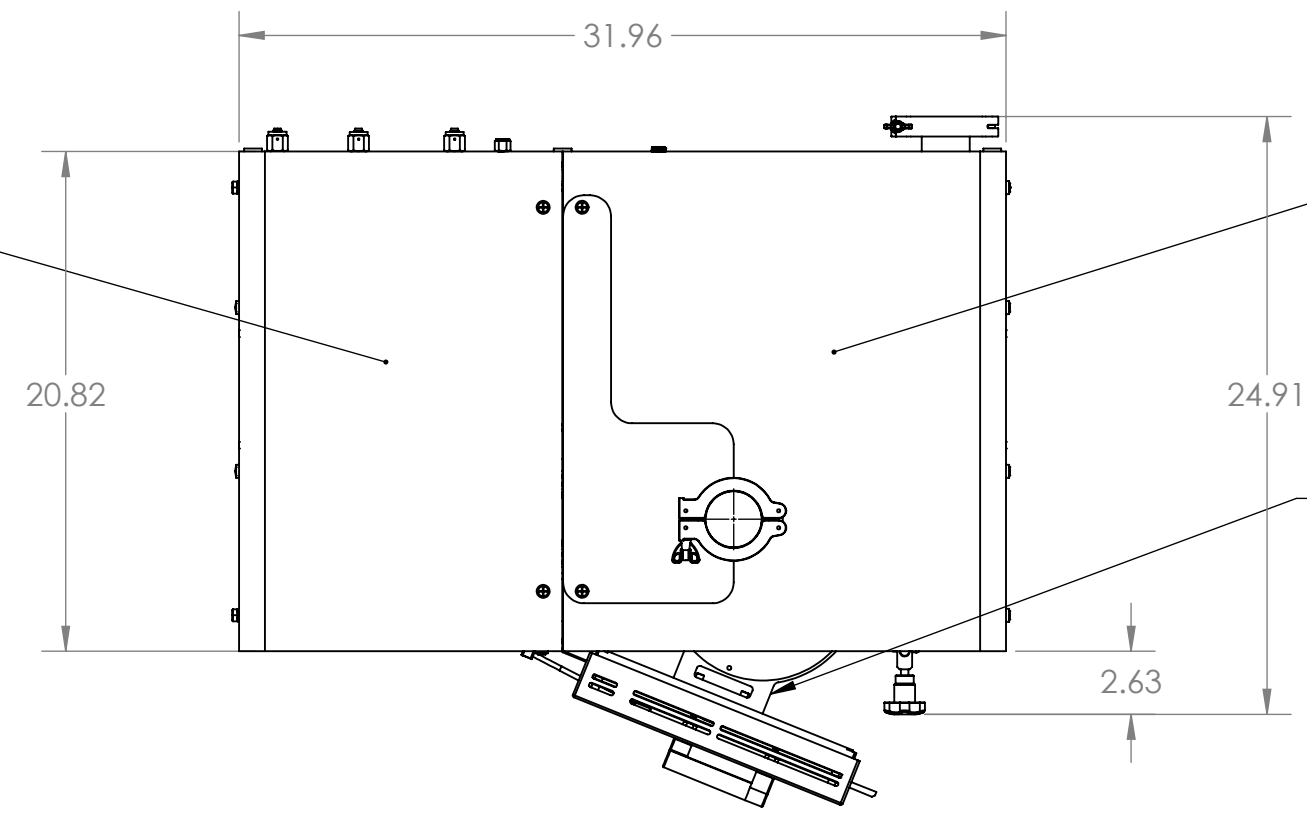
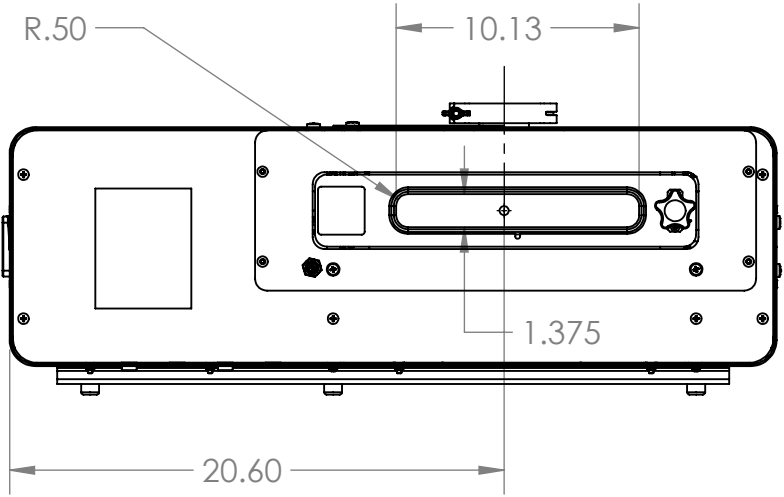
D

D

PRECURSOR GAS DISTRIBUTION COVER

REACTOR COVER

200MM STD END EFFECTOR

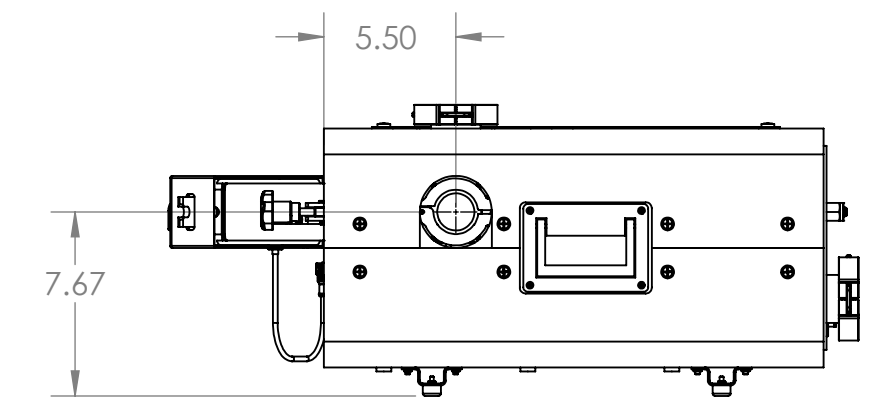
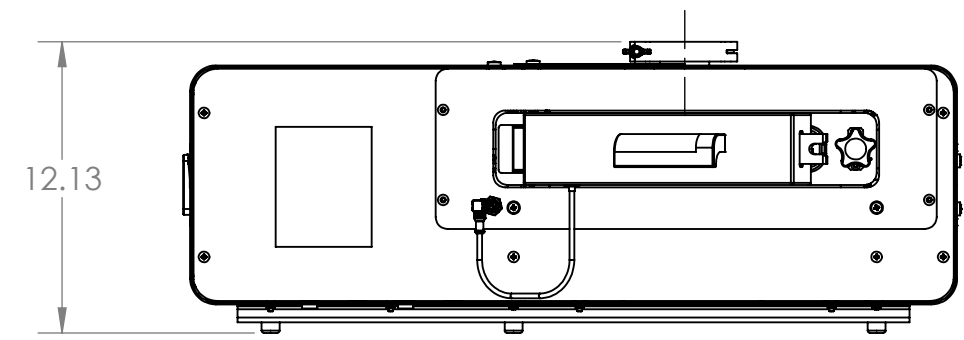
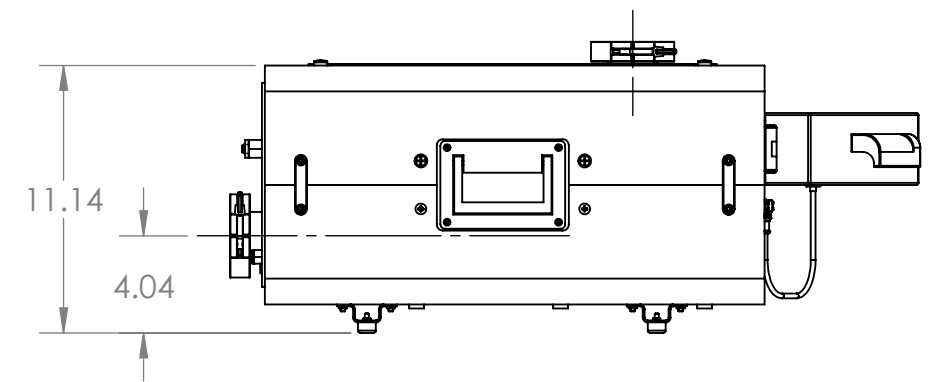


C

C

B

B



A

A

UNLESS OTHERWISE SPECIFIED DIMENSIONS ARE IN:
 INCHES TOLERANCES: ANGULAR: MACH ± 0.5° BEND ± 1°
 X.XXX ± 0.005
 X.XX ± 0.010
 X.X ± 0.03
 (MILLIMETERS) TOLERANCES: ANGULAR: MACH ± 0.5° BEND ± 1°
 (X.XX ± 0.13)
 (X.X ± 0.25)
 (X ± 0.75)

REMOVE BURRS AND BREAK ALL SHARP EDGES
 FILLET RADII AND CORNER RADII TO BE .02" (0.5MM)
 SURFACE FINISH TO BE 63

NEXT ASSY	USED ON
APPLICATION	

MATERIAL NONE
 FINISH NONE

NAME	DATE
Beaulieu	11/01/16
CHECKED	
ENG APPR.	

PROPRIETARY AND CONFIDENTIAL
 THE INFORMATION CONTAINED IN THIS DRAWING IS THE SOLE PROPERTY OF ARRADIANCE. ANY REPRODUCTION IN PART OR AS A WHOLE WITHOUT THE WRITTEN PERMISSION OF ARRADIANCE IS PROHIBITED.

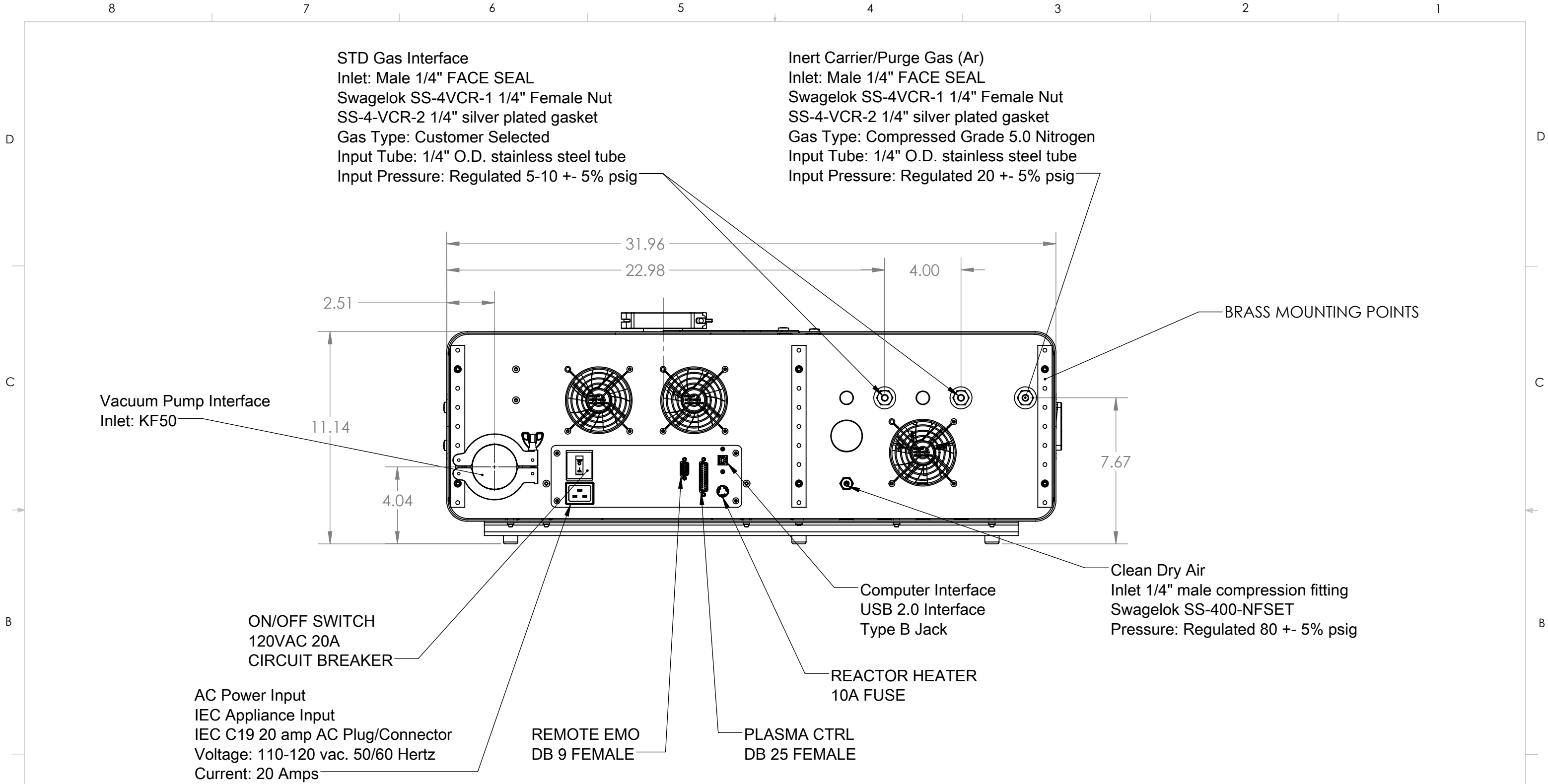
ARRADIANCE
 142 NORTH RD, SUDBURY, MA 01776

TITLE:
SYSTEM, GEMSTAR XT-DR (PLASMA READY)

SIZE **B** DWG. NO. **ARR-850000 XT-DR** REV **0**

SCALE: 1:8 WEIGHT: 270 LBS SHEET 1 OF 3

8 7 6 5 4 3 2 1



Recommended Pump(Not Supplied As Standard)
 ARR-EV-A10-P EBARA DRY Pump, N2 purged
 Peak pumping Speed 35 CFM
 Ultimate Pressure 22 mTorr
 Inlet Connection NW40
 Outlet Connection NW40
 N2 purge, 20psi
 Air Cooled
 Power 1P/3P, 200-240V (50/60Hz) 3kVA

UNLESS OTHERWISE SPECIFIED DIMENSIONS ARE IN:	
INCHES TOLERANCES: ANGULAR: MACH ± 0.5° BEND ± 1° X.XXX ± 0.005 X.XX ± 0.010 X.X ± 0.03	(MILLIMETERS) TOLERANCES: ANGULAR: MACH ± 0.5° BEND ± 1° (X.XX ± 0.13) (X.X ± 0.25) (X ± 0.75)
REMOVE BURRS AND BREAK ALL SHARP EDGES FILLET RADII AND CORNER RADII TO BE .02" (0.5MM) SURFACE FINISH TO BE 63	
NEXT ASSY	USED ON
MATERIAL	NONE
FINISH	NONE
APPLICATION	

NAME	DATE
DRAWN Beaulieu	11/01/16
CHECKED	
ENG APPR.	

PROPRIETARY AND CONFIDENTIAL

THE INFORMATION CONTAINED IN THIS DRAWING IS THE SOLE PROPERTY OF ARRADIANCE. ANY REPRODUCTION IN PART OR AS A WHOLE WITHOUT THE WRITTEN PERMISSION OF ARRADIANCE IS PROHIBITED.

ARRADIANCE
 142 NORTH RD, SUDBURY, MA 01776

TITLE:
SYSTEM, GEMSTAR XT-DR (PLASMA READY)

SIZE B	DWG. NO. ARR-850000 XT-DR	REV 0
SCALE: 1:8	WEIGHT: 270 LBS	SHEET 2 OF 3

8 7 6 5 4 3 2 1

D

C

B

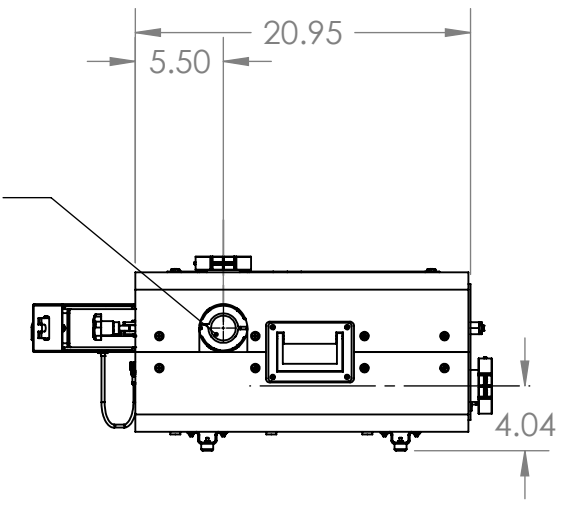
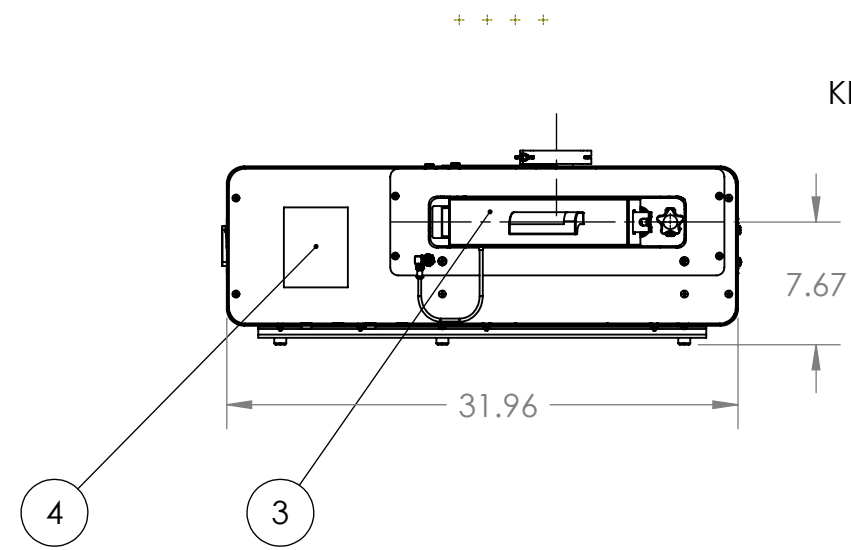
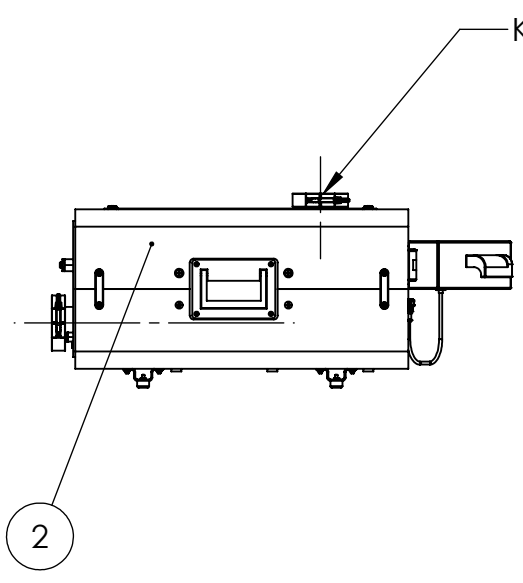
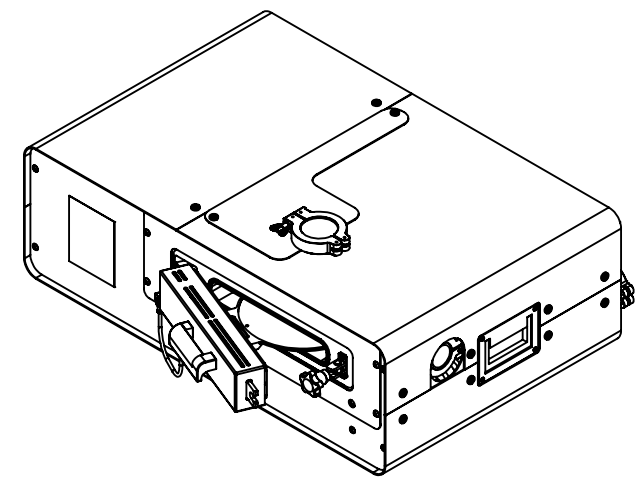
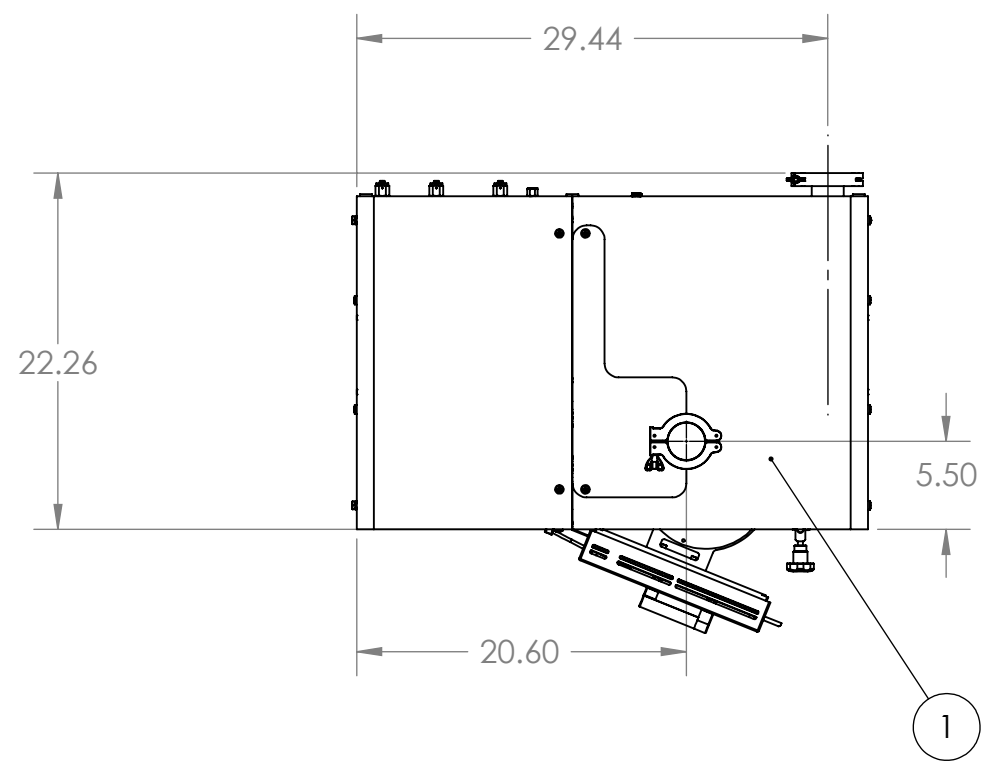
A

D

C

B

A



ITEM NO.	PART NUMBER	DESCRIPTION	QTY.
1	ARR-850101-P	ASSY, XT-P COVER	1
2	ARR-850901-PREP	ASSY, XT SHELL PREP	1
3	ARR-850902-DP	ASSY STD GS XT-DP PROCESS SYSTEM	1
4	LABEL, GEMStar XT	LABEL. GEMSTAR-8	1

UNLESS OTHERWISE SPECIFIED DIMENSIONS ARE IN:	
INCHES TOLERANCES: ANGULAR: MACH ± 0.5° BEND ± 1° X.XXX ± 0.005 X.XX ± 0.010 X.X ± 0.03	(MILLIMETERS) TOLERANCES: ANGULAR: MACH ± 0.5° BEND ± 1° (X.XX ± 0.13) (X.X ± 0.25) (X ± 0.75)
REMOVE BURRS AND BREAK ALL SHARP EDGES FILLET RADII AND CORNER RADII TO BE .02" (0.5MM) SURFACE FINISH TO BE 63	
NEXT ASSY	USED ON
MATERIAL NONE	
FINISH NONE	
APPLICATION	

NAME	DATE
Beaulieu	11/01/16
CHECKED	
ENG APPR.	

ARRADIANCE
142 NORTH RD, SUDBURY, MA 01776

TITLE:
**SYSTEM, GEMSTAR XT-DR
(PLASMA READY)**

PROPRIETARY AND CONFIDENTIAL
THE INFORMATION CONTAINED IN THIS DRAWING IS THE SOLE PROPERTY OF ARRADIANCE. ANY REPRODUCTION IN PART OR AS A WHOLE WITHOUT THE WRITTEN PERMISSION OF ARRADIANCE IS PROHIBITED.

SIZE **B** DWG. NO. **ARR-850000 XT-DR** REV **0**

SCALE: 1:8 WEIGHT: 270 LBS SHEET 3 OF 3

8 7 6 5 4 3 2 1